

Whisper-Pac Dri-Prime®



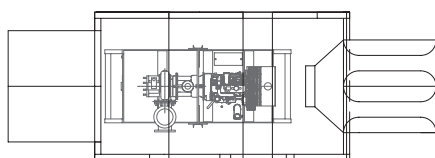
Two 12" x 10" (300mm x 250mm) high lift pumps and two 8" (200mm) high volume pumps providing water supply.

The Whisper-Pac enclosure for Dri-Prime pumps minimizes and reduces sound generated by diesel driven units and is offered for applications where noise levels are a priority. Typically, the Whisper-Pac enclosure can reduce operating noise to as low as 63 dBA at 30 feet (9M). These freestanding enclosures consist of a structural steel frame with 4" thick panels faced with 18 gauge sheet metal (exterior) and 22 gauge perforated, galvanized sheet metal. Panels are filled with 4 lb. (1.8 kg.) density sound absorption material.

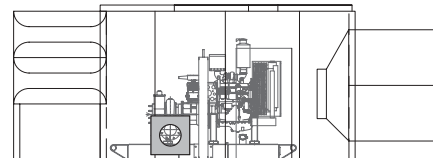
Features

- Reduces operating noise to as low as 63 dBA at 30 feet (9M).
- Freestanding enclosure protects against vandalism and weather.
- Includes a full size (36" x 78" / .9M x 2M) door for service access.
- Sound attenuated air inlet and outlet ports provide airflow to the engine for cooling and combustion.
- Convenient openings for suction and discharge piping enable easy connection.
- Single point lifting eye allows the entire enclosure to be easily positioned over the pump.
- Available in two sizes (Large and Small).

Top View



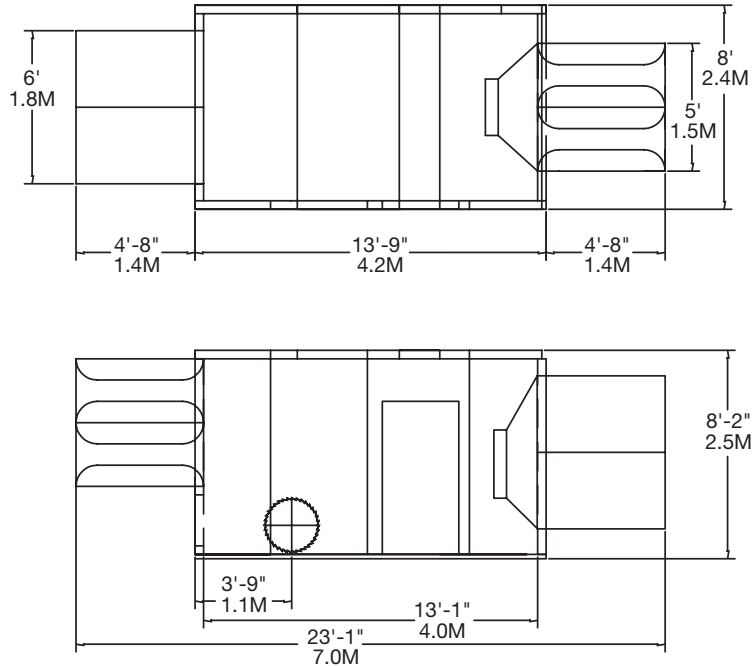
Side View



CD225M 8" (200mm) Dri-Prime Pump in Whisper-Pac Enclosure

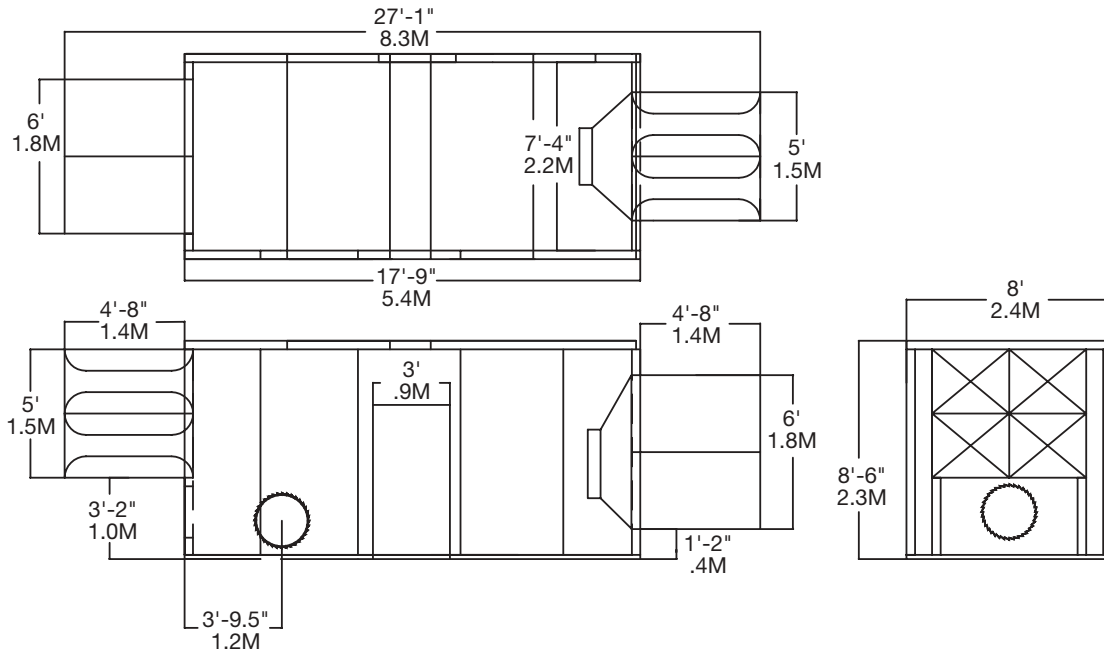


Small Size Whisper-Pac Dimensional Drawing*



* Due to size of enclosure, unit requires hauling on a low bed trailer.

Large Size Whisper-Pac Dimensional Drawing*



* Due to size of enclosure, unit requires hauling on a low bed trailer.

HOME OFFICES: One Floodgate Road, Bridgeport, NJ 08014, USA • (856) 467-3636 • Fax: (856) 467-4841
 Quenington, Cirencester, Glos. GL7 5BX, UK • Tel: +44 (0)1285-750271 • Fax: +44 (0)1285-750352
 E-mail: sales@godwinpumps.com • www.godwinpumps.com

LOCATIONS: Connecticut • Pennsylvania • New York • Ohio • Illinois • Maryland
 Virginia • West Virginia • Georgia • South Carolina • North Carolina
 Florida • Texas • Montana • California • Washington

godwin
pumps

