

GSP25, GSP35 Sub-Prime® Electric Submersible Dewatering Pumps

The line of Godwin Sub-Prime GSP electric submersible pumps is designed for large dewatering applications. The GSP25 and GSP35 models are capable of maximum flow rates from 254 to 301 gpm (57.7 to 68.3 M³/hr.) and discharge heads to 61 feet (18.3M). Like the small dewatering and trash handling models in the Sub-Prime line, these large dewatering submersible pumps are suited to tough construction, mining and industrial applications. They feature a slim-line design ideal for fitting into confined spaces and rugged construction for long life, specifically a cast chromium steel impeller and heavy duty rubber coated adjustable wear parts. Other features and benefits include tandem mechanical seals for dry running and extra protection against leakage, and a dual voltage junction chamber for convenient changeover in the field.



Features

- Convenient top discharge
- Compact slim-line design
- Oversized power cable
- Dual voltage junction chamber
- High performance submersible motor
- Oversized, heavy duty ball bearings
- Tandem mechanical seals – Silicon Carbide on Silicon Carbide primary seal
- Cast Chromium Steel impeller and heavy duty rubber coated adjustable wearparts
- Lightweight aluminum and corrosion resistant stainless steel cooling jacket
- Dry running capabilities
- Optional manual and automatic control panels available*

Specifications

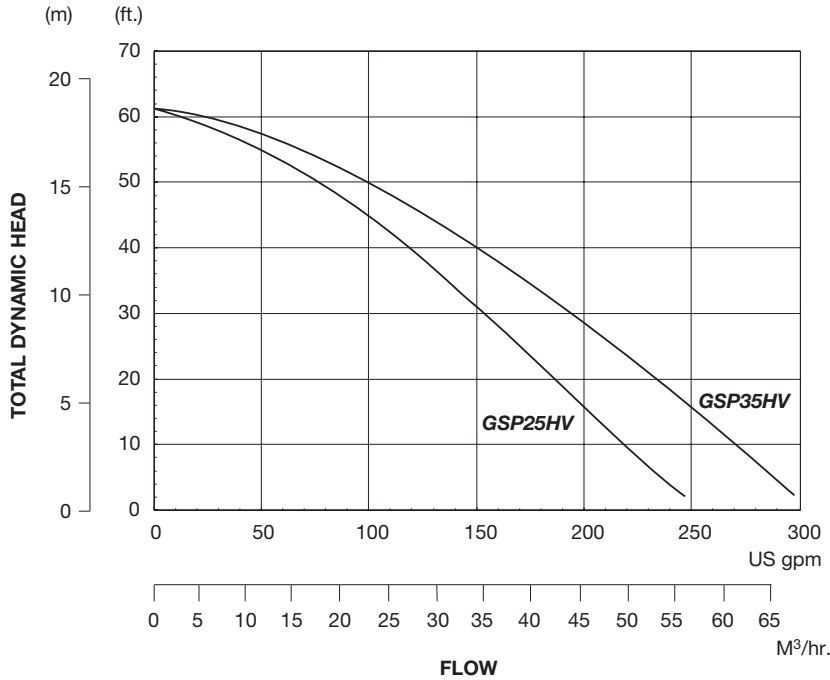
| | Model | |
|-------------------------------------|-----------------------|----------------------|
| | GSP25 Single Phase | GSP35 Three Phase |
| <i>HP (kW)</i> | 2.5 (1.9) | 3.5 (2.6) |
| <i>Max. GPM (M³/hr.)</i> | 254 (57.7) | 301 (68.3) |
| <i>Max. Head - Ft. (M)</i> | 61' (18.3M) | 61' (18.3M) |
| <i>Discharge</i> | 3" (75mm) | 3" (75mm) |
| <i>Cable</i> | 65' (20M) | 65' (20M) |
| <i>RPM</i> | 3400 | 3400 |
| <i>Max. Temp.</i> | 103°F (40°C) | 103°F (40°C) |
| <i>PH Range</i> | 5.0-8.0 | 5.0-8.0 |
| <i>Voltage</i> | 230 | 230/460, 575 |
| <i>Phase</i> | 1 | 3 |
| <i>Amps</i> | 12 | 9.0/4.5, 3.6 |
| <i>Weight</i> | 57 lbs. 26 kg. | 57 lbs. 26 kg. |
| <i>Max. Solids</i> | .3" (7.5mm) | .3" (7.5mm) |
| <i>Max. Sub.</i> | 65' (20M) | 65' (20M) |



godwin
pumps®

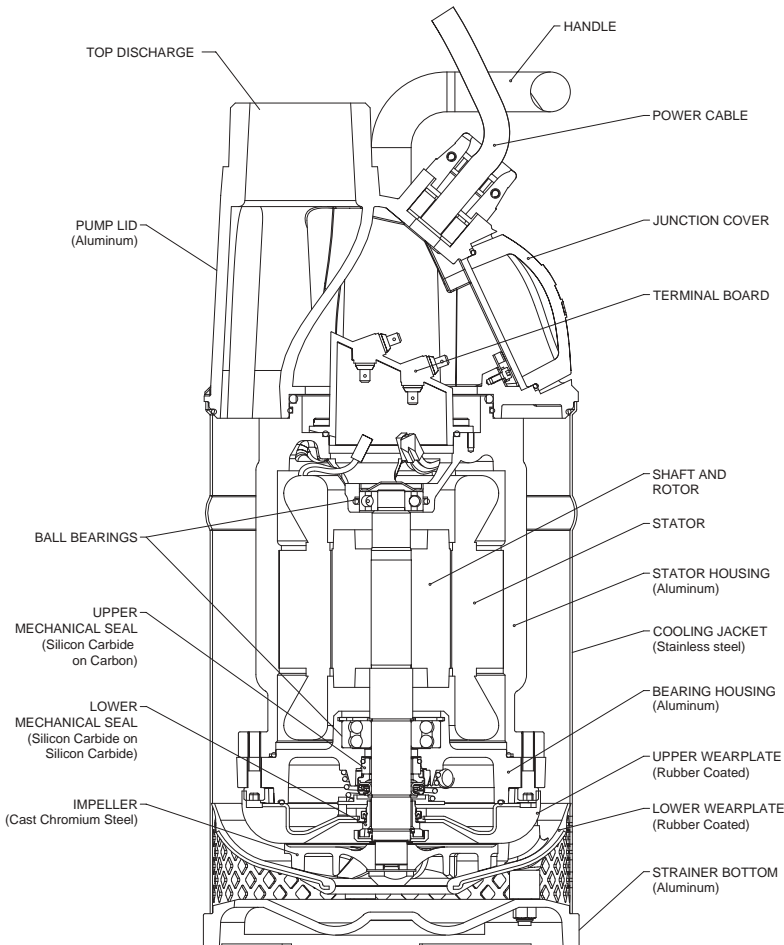
* Single phase Godwin Model GSP25 will not operate without a Godwin Pumps custom control panel for both manual and automatic operation.

GSP25, GSP35 Sub-Prime® Performance Curves

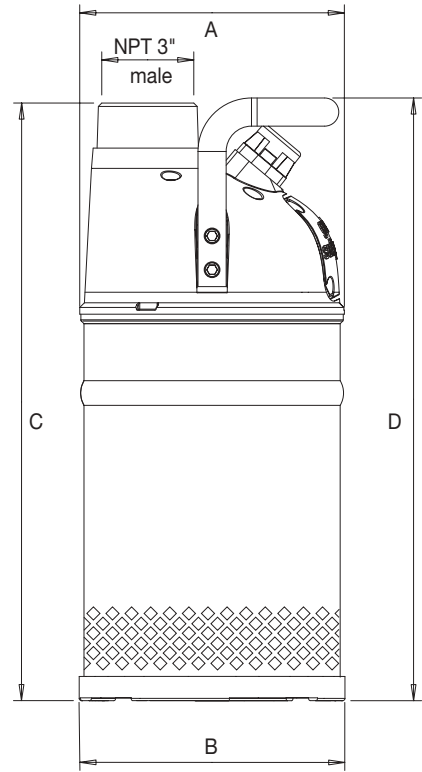


WARNING: Pumps are not designed for use in explosive atmosphere, flammable environments or for pumping volatile liquids.

Design & Construction



Dimensions



| Model | A | B | C | D |
|-------|----------------|----------------|-----------------|-----------------|
| GSP25 | 9.25" 235mm | 9.29" 236mm | 20.91" 531mm | 21.06" 535mm |
| GSP35 | 9.25" 235mm | 9.29" 236mm | 20.91" 531mm | 21.06" 535mm |



godwin
pumps®

One Floodgate Road, Bridgeport, NJ 08014, USA
(856) 467-3636 • Fax: (856) 467-4841

Quenington, Cirencester, Glos., GL7 5BX, UK
+44 (0)1285-750271 • Fax: +44 (0)1285-750352

E-mail: sales@godwinpumps.com

www.godwinpumps.com

BRANCH LOCATIONS:

Connecticut • Pennsylvania • New York • Ohio Illinois •
Maryland • Virginia • West Virginia
North Carolina • South Carolina • Georgia
Florida • Texas Montana • California • Washington

Sub-Prime® and the color orange for pumps are registered trademarks of Godwin Pumps of America, Inc.

Specifications and illustrations are subject to revision without notice.

© Copyright 2002-2006 Godwin Pumps of America, Inc. All rights reserved.

GPASL.089.1106